

# Insertion Wiegand Reader from Databac

The Insertion Wiegand Reader provides in-wall mounting for a low profile installation. Unobtrusive, the Insertion Wiegand reader is ideal for office settings. A simple push in / pull out insertion of the card completes the read.

The Insertion Wiegand reader is molded of rugged, high impact plastic to resist vandals and epoxy potted to seal out moisture. It features a bi-color LED. The Insertion Wiegand reader is immune to external magnetic fields and RF signals.

For office settings and other locations that suggest an unobtrusive reader, the Insertion Wiegand reader is ideal.



## Specifications

### For use with code strip layout options:

- A right hand reader
- A1 left hand reader

### Input power:

5-12 VDC

### Current:

40mA typical

### Dimensions:

1.18" x 3.18" x 3.0"  
(3.0 x 8.1 x 7.6 cm)

### Slot width:

0.062" to 0.069"  
(1.6 mm to 1.75 mm)

### Material:

Long-wearing polymeric plastic

### Weight:

10.6 oz. (301 gm)

### Operating temperature:

-40° F to 160° F (-40° C to 70° C)

### Operating humidity:

10 to 95%

### Output:

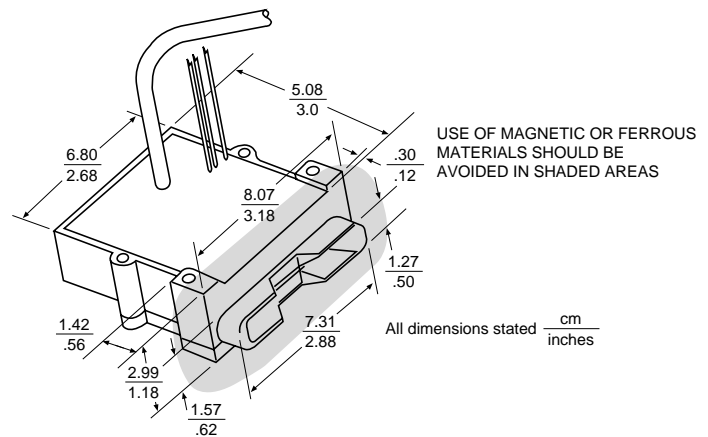
Wiegand

### Certifications:

UL 294 listed  
CE mark approved

### Cable distance:

500 feet (150 m) using shielded 22 AWG cable



## Features

**Mounting:** Insertion readers are designed to be unobtrusive and to mount in-the-wall or to a mounting plate. The reader can be mounted with or without the reader escutcheon in place.

**Visual indication:** When a Wiegand card is withdrawn from the reader, the red LED flashes to green to indicate a proper read. Rejected cards are indicated with an amber color.

**Indoor / outdoor design:** The Insertion Wiegand reader is sealed in a rugged, potted, weatherized polymeric enclosure to withstand harsh environments and provide a high degree of vandal resistance.

**Warranty:** Insertion Wiegand readers are warranted against defects in materials and workmanship for life from date of shipment. (See complete warranty policy for details.)

## Part Number

Base Part No.: 312

Description: Black, Bi-color LED

Options:

- Termination (6' cable or Barrier Strip)
- Escutcheon (Included or Omitted)
- Read Head Location (Left or Right)
- Labels (Silver or Custom)

(Please see "How to Order" guide for a description of the options and associated part numbers.)

Specifications subject to change without notice.

LITINSRDS 8/97

Printed in the U.S.A.

© HID Corporation, 1997



Authorised reseller: Databac Group Limited, Klingston, Surrey. UK KT2 6HH

Tel. +44 208 546 9826 Fax. +44 208 547 1026 Email: info@databac.com web: [www.databac.com](http://www.databac.com)